

Product data sheet

Characteristics

9050JCK12V20

Timing Relay, Type JCK, plug In, on delay, adjustable time, 0.3 to 30 seconds, 10A, 240 VAC, 120 VAC/110 VDC

Product availability : Stock - Normally stocked in distribution facility



Main

| | |
|----------------|----------------------|
| Product range | 9050JCK |
| Product type | Timer |
| Timing mode | On-delay |
| Timing range | 0.3...30 s |
| Supply voltage | 120 V AC 110 V DC |

Complementary

| | |
|---------------------------|----------------------|
| Power consumption | 2 VA |
| Current rating | 10 A |
| Switch function | DPDT |
| Contact composition | 2 NO + 2 NC |
| Contact material | Silver nickel |
| Maximum switching voltage | 240 V AC |
| Mounting type | Socket |
| Number of pins | 8 |
| Shape of pins | Tubular |
| For use with | 8501NR51 8501NR52 |

Environment

| | |
|----------------|----------------------------------|
| Certifications | UL Recognized UL Listed CE |
|----------------|----------------------------------|

* Price is "List Price" and may be subject to a trade discount – check with your local distributor or retailer for actual price.

| | |
|---|----------------------------|
| Ambient temperature range - operational | -18...150 °F (-28...66 °C) |
| Height | 2.40 in (61 mm) |
| Width | 1.69 in (43 mm) |
| Depth | 4.09 in (104 mm) |

Ordering and shipping details

| | |
|-----------------------|--|
| Category | 21651 - 9050 JCK(NOT JCK60, 70) G P TIMERS |
| Discount Schedule | CP2 |
| GTIN | 00785901032557 |
| Nbr. of units in pkg. | 1 |
| Package weight(Lbs) | 0.27 lb(US) (0.12 kg) |
| Returnability | Yes |
| Country of origin | US |

Packing Units

| | |
|------------------|---------------------|
| Package 1 Height | 2.60 in (6.604 cm) |
| Package 1 width | 4.40 in (11.176 cm) |
| Package 1 Length | 2.00 in (5.080 cm) |

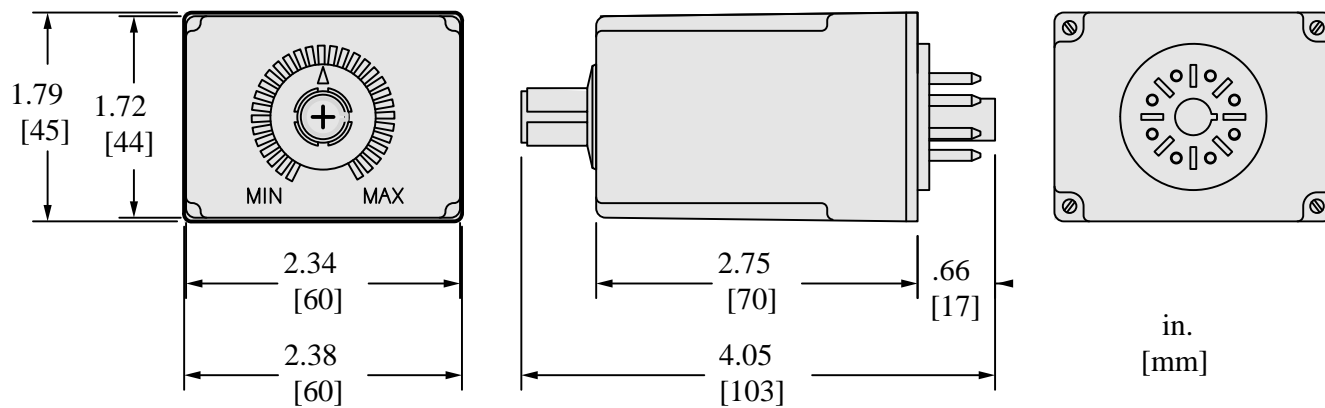
Offer Sustainability

| | |
|----------------------------|---|
| Sustainable offer status | Green Premium product |
| REACH Regulation | REACH Declaration |
| REACH free of SVHC | Yes |
| EU RoHS Directive | Pro-active compliance (Product out of EU RoHS legal scope) EU RoHS Declaration |
| Toxic heavy metal free | Yes |
| Mercury free | Yes |
| RoHS exemption information | Yes |
| China RoHS Regulation | China RoHS declaration |
| Environmental Disclosure | Product Environmental Profile |
| Circularity Profile | End of Life Information |

Contractual warranty

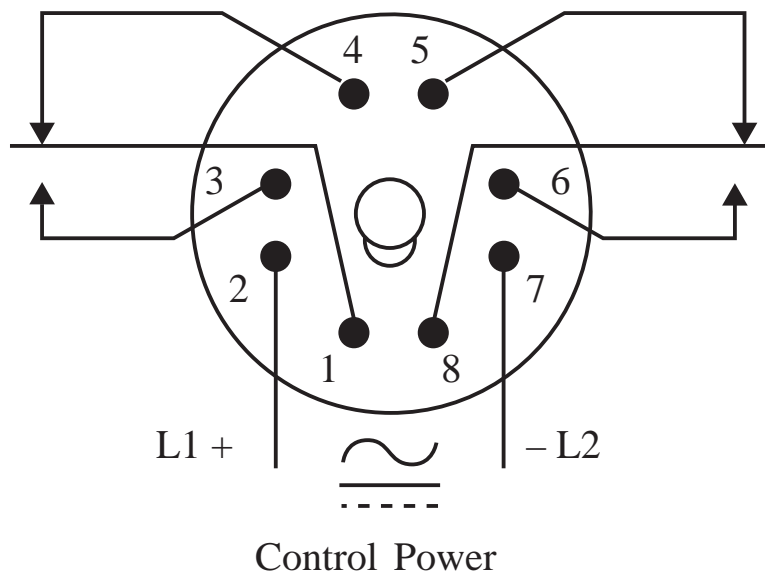
| | |
|----------|-----------|
| Warranty | 18 months |
|----------|-----------|

Dimensions



All dimensions are approximate. Also see technical documentation.

Wiring Diagram



JCK 11 – JCK19

JCK31 – JCK39

JCK51 – JCK59

JCK60